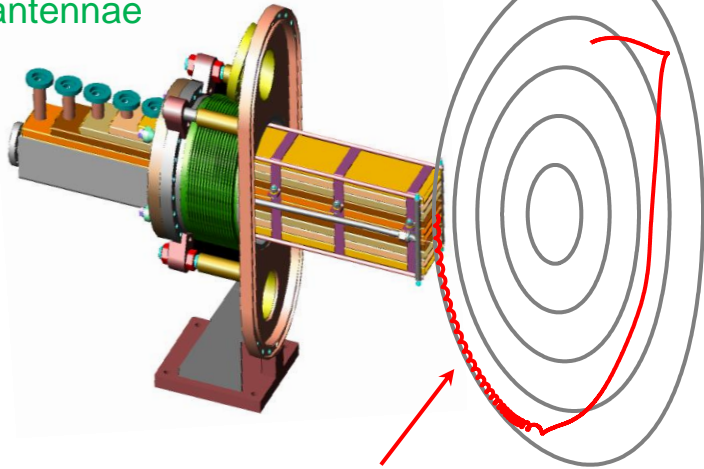
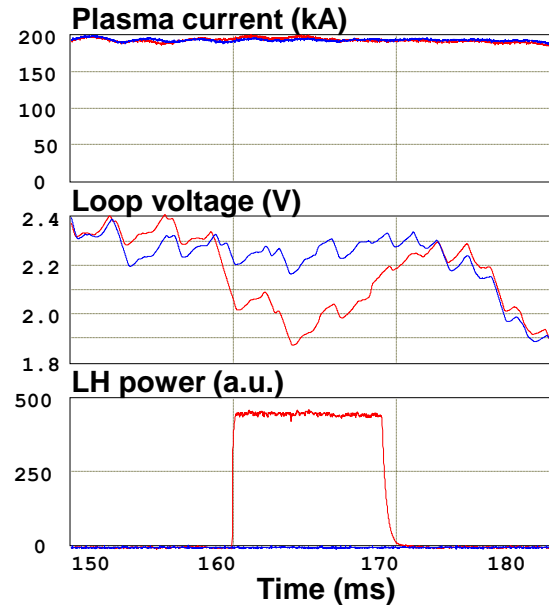


For the first time Lower Hybrid Current Drive experiment in the Spherical Tokamak Globus-M was performed at 2.45 GHz

10 waveguide grill antennae



Poloidal projection of LH waves
4+ toroidal turns



- **Non-inductive current of 20-30 kA** was generated at $P_{LH} = 100\text{kW}$ $f_{LH} = 2.45\text{ GHz}$
- Tight aspect ratio geometry $R=0.36\text{ m}$, $a=0.24\text{ m}$
- Low magnetic field $B_T = 0.4\text{ T}$, total plasma current = 0.2 MA
- Poloidal slowing down of LH waves, $N_{pol} = 2.9$
- **CD efficiency of $(0.2-0.3) \cdot 10^{19}\text{ A} \cdot \text{W}^{-1} \cdot \text{m}^{-2}$ was achieved**