



Implementing of an Isolated Condenser with non-condensable gases passive safety system originated in the ALFRED LFR demonstrator plant - to a CANDU 6 plant that was a general active safety systems designed plant.



Technical Meeting on State-of-the-art Thermal Hydraulics of Fast Reactors

Sep 26, 2022, 8:00 AM → Sep 30, 2022, 6:00 PM Europe/Vienna

C.R. ENEA, Camugnano, Italy

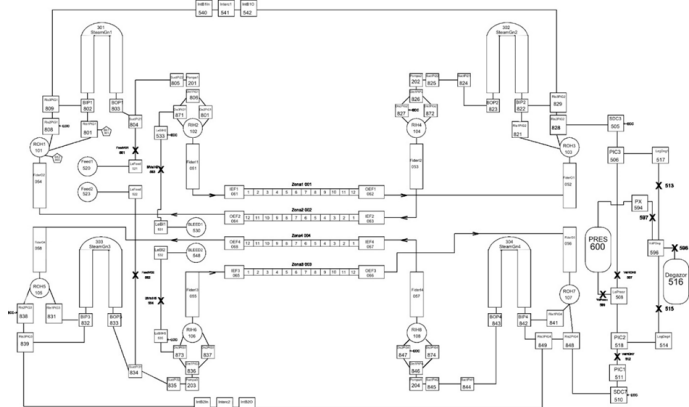
NITA IULIAN – RATEN CITON – nitai@router.citon.ro

I.P. NITA, R. PANCEF, M. Bigu, L. Nitulescu

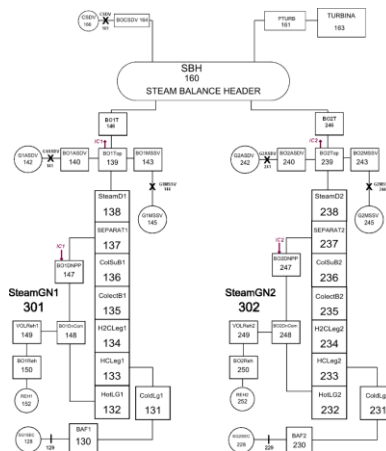


1101 0110 1100
0101 0010 1101
0001 0110 1110
1101 0010 1101
1111 1010 0000

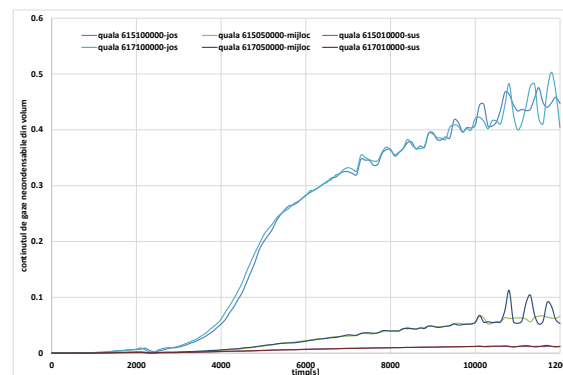
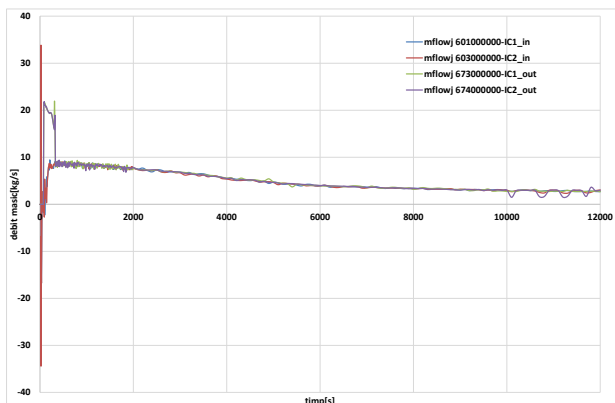
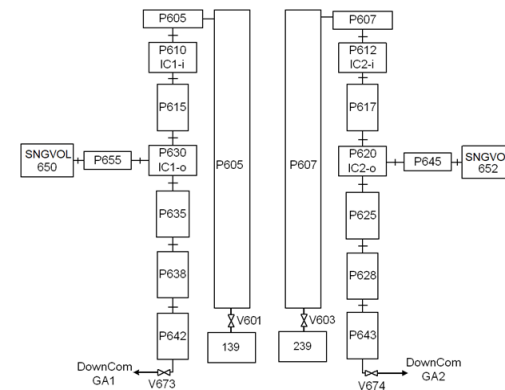
PHTS



Steam Generator



IC SYSTEM Non condensable gases



Mass flowrate IC system – passive flow

IC non condensable gases

Nița Iulian – Technical Meeting on State-of-the-art Thermal Hydraulics of Fast Reactors Sep 26, 2022, 8:00 AM → Sep 30, 2022, 6:00 PM Europe/Vienna
C.R. ENEA, Camugnano, Italy